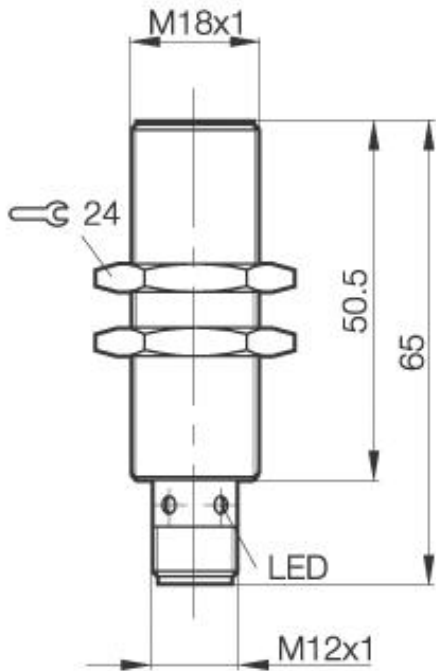


Inductive Sensors BES M18MI-PSC50A-S04G-WM01

M18x1 x 65
normally-open
Sn=5mm
shielded

Factor 1, magnetic field-immune, weld-immune, diagnostic



PX1208

Common Data

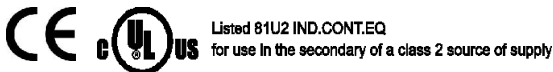
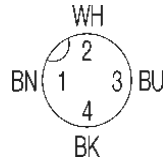
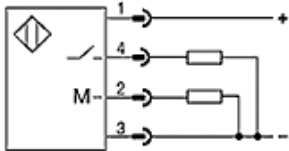
Product name	Factor 1
Mounting in steel	shielded
Rated operating distance Sn	5mm
Assured operating distance Sa	0...4.1mm
Repeatability R	≤ 5%
Hysteresis	≤ 15%
Function indication	yes
Ambient temperature range	-25...+70°C
Polution Degree	3
Time delay before availability	≤ 50ms
Particular characteristics	Factor 1, magnetic field-immune, weld-immune, diagnostic

Mechanical Data

Measurements BxHxT or DxT	M18x1 x 65mm
Housing material	CuZn, PTFE coated
Material of sensing face	LCP + PTFE
Degree of protection	IP67IP
Connection	Connector S4 (M12)
Schock: Halbsinus, 30 gn, 11ms	
Vibration: 55 Hz, 1mm Amplitude, 3 x 30 Minutes	

Electrical Data

Current type	DC
Wiring	3-Wire
switching function	normally-open
Output signal	PNP-monitor output
Rated operational voltage	24 DCV
Rated operational current	200mA
Supply voltage	10...30 DCV
Ripple	≤ 15%
max. switching frequency	200Hz
No-load supply current	≤ 25mA
Off-state current	≤ 80µA
Voltage drop	≤ 3,5V
Short circuit protection	yes
Protected against polarity reversal	yes



Utilization categories
Insulation class

DC 13
II

Datasheet number:

Definitions see general catalog.
If not otherwise noted, ratings according to
IEC 60947-5-2 (DIN EN60947-5-2)

Balluff GmbH
Schurwaldstrasse 9
73765 Neuhausen a.d.F.
Phone (07158) 173-0 Fax (07158) 5010

Datenblatt by CD-ROM - 04/2007

BALLUFF
sensors worldwide